

Adirondack Chair

PROJECT PLAN

YellaWood
Pressure Treated Pine

There are many variations of the classic adirondack chair. This particular version features straightforward construction and common materials.

This chair makes for a satisfying project that can be built and finished in one weekend. And when properly finished, it will provide years of comfortable seating.

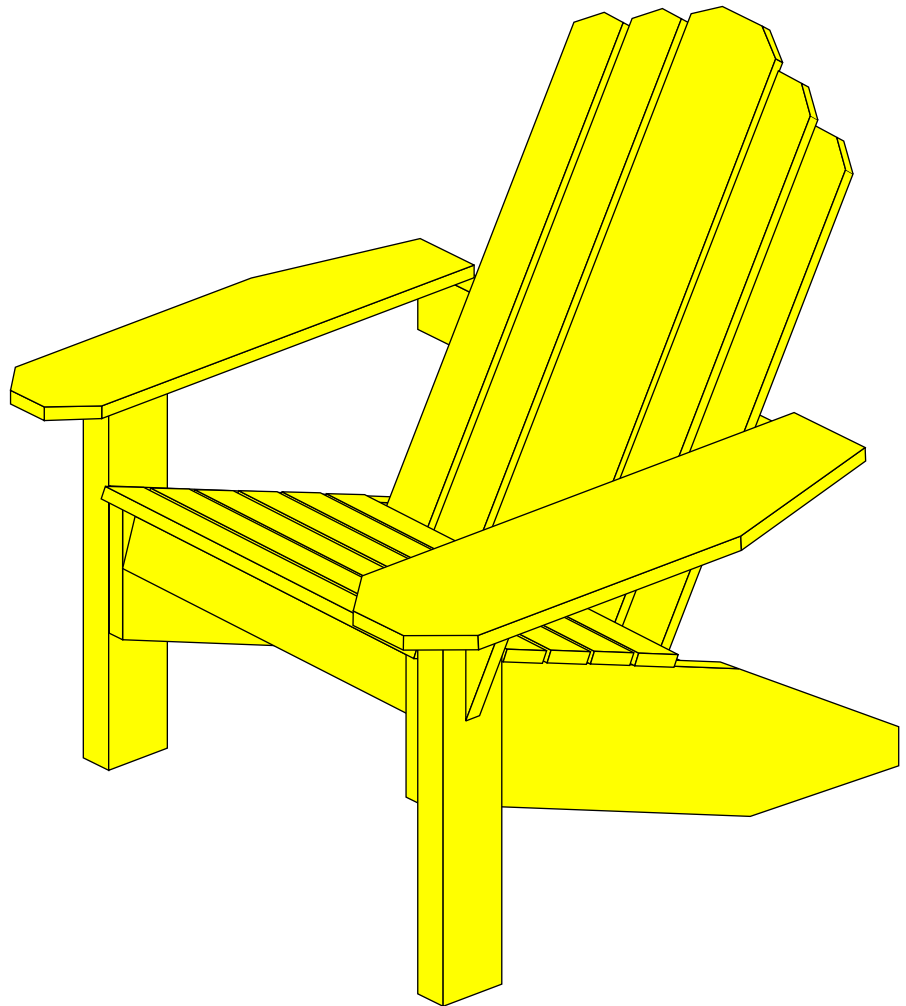
BUILD TIME

Cutting parts: 1 – 2 hours

Assembly: 1 – 2 hours

Finishing: 2 hours

Total: 4 – 6 hours



Adirondack Chair

YellaWood
Pressure Treated Pine

WHAT YOU'LL NEED

TOOLS

Miter saw (or hand or circular saw)
Table saw
Jig saw (or hand or circular saw)
Drill/driver
1/8" drill bit
Clamps
Damp rag to wipe up excess glue
Paint/Stain Brush

SUPPLIES

(4) 1 x 4 x 8'
(2) 1 x 8 x 8'
(1) 2 x 4 x 10'
1 1/4" deck screws
2" deck screws
3" deck screws
Waterproof wood glue
YellaWood Protector® Stain & Sealer

CUT LIST

A	(2)	3/4 x 7 1/4 x 36
B	(2)	1 1/2 x 3 1/2 x 21 1/2
C	(6)	3/4 x 3 x 23
D	(1)	3/4 x 6 x 36
E	(2)	3/4 x 3 x 34
F	(2)	3/4 x 3 x 32
G	(2)	3/4 x 3 x 17
H	(2)	1 1/2 x 3 1/2 x 21
I	(2)	3/4 x 7 1/4 x 30
J	(1)	1 1/2 x 3 1/2 x 26
K	(2)	3/4 x 2 x 5

A



B



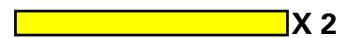
C



D



E



F



G



H



I



J



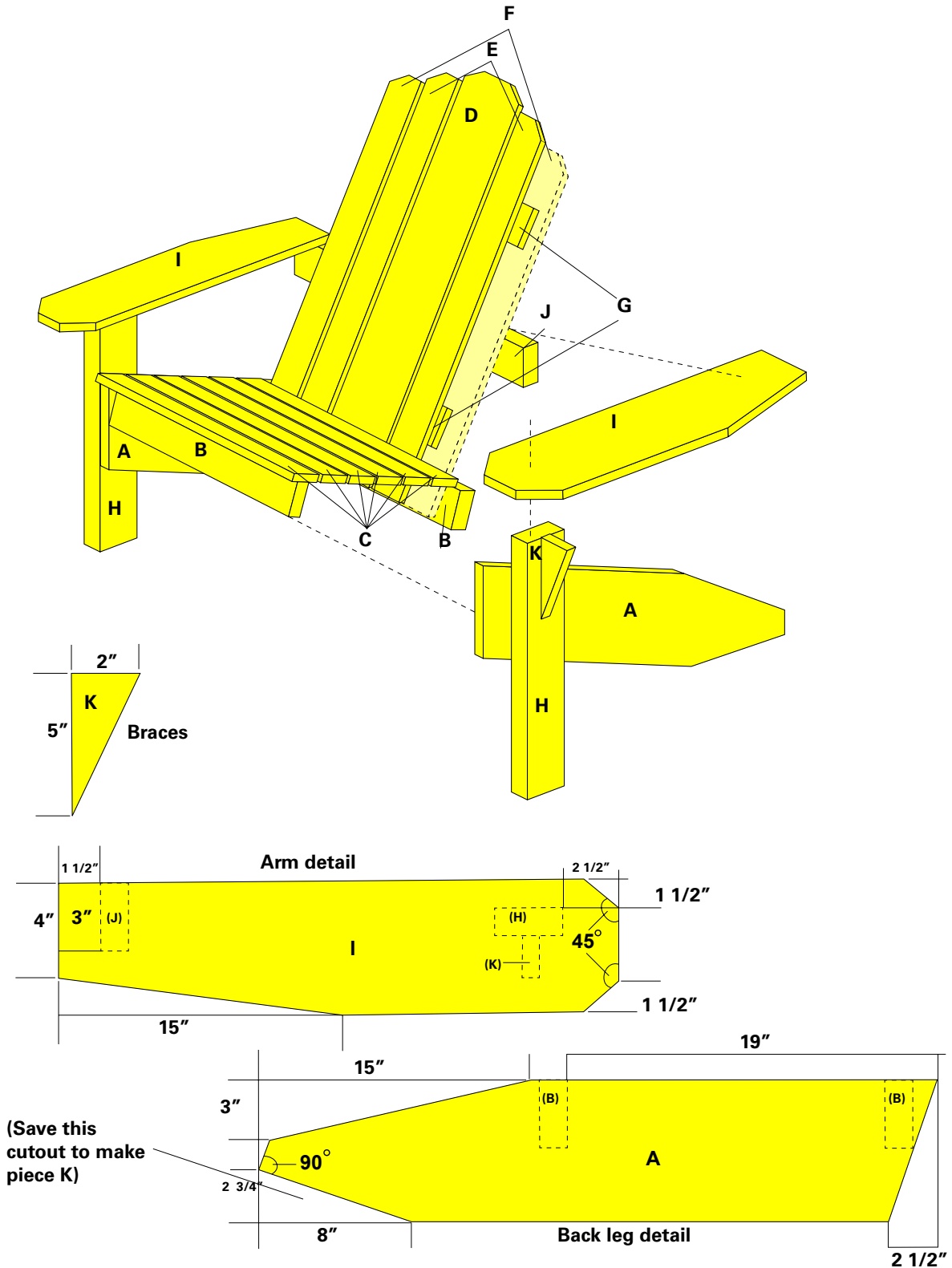
K



Adirondack Chair

ASSEMBLY

YellaWood
Pressure Treated Pine



Adirondack Chair

ASSEMBLY

YellaWood
Pressure Treated Pine

BUILDING STEPS

01 Cut the back legs (A) to length and lay out and cut the angles according to the detail drawing. Use a jig saw or circular saw and guide to make smooth, straight cuts. Note which cutout pieces you will be saving to make braces later on. Lay out where seat stretchers (B) will be attached according to detail drawing. Drill pilot holes.



02 Cut seat stretchers (B) to length and attach to back legs according to layout marks with 2" screws.



03 Cut arms (I) to length and mark where back support (J), front legs (H) and braces (K) will be attached according to detail drawing. Drill 1/8" pilot holes.



04 Clamp back support (J) in place and attach with 2" deck screws. Trim two of the cutout pieces from back legs to make braces (K) according to detail drawing, and attach them and front legs (H) to the underside of the arms where noted with 3" deck screws.



05 Measure up from the bottom of both front legs and mark 16". Clamp back leg/stretcher assembly to the front leg arm assembly, keeping the top of the back legs at the 16" mark and the front edge of the back legs flush with the front edge of the front legs. Attach with 2" deck screws.



Adirondack Chair

ASSEMBLY

YellaWood
Pressure Treated Pine

BUILDING STEPS

- 06** Cut all other pieces to lengths according to cut list. Lay out your back slats (D, E, & F) with the best sides facing down and $\frac{1}{4}$ " spacers between each slat. Use a straight edge along the bottoms to help with alignment. Drill pilot holes in back stretchers (G) and attach to the back of the slats. Attach bottom edge of the bottom stretcher 4" up from bottom of slats, and the second stretcher 16" up from that.



- 07** Set back slat assembly into place, with the bottom of slats (D, E, & F) flush with the bottom of stretcher (B). With 2" screws attach through the slats (D, E, & F) into the seat stretcher (B) and back support (J).



- 08** Drill pilot holes in seat slats (C) and lay them out on the seat with $\frac{1}{4}$ " spacers between each slat. Remove one arm assembly for drill clearance and drill pilot holes into the back legs through your slat pilot holes, then attach with 2" screws. Reattach arm assembly and repeat for other side.



- 09** Break all edges and sand all surfaces smooth before applying waterproof finish according to manufacturer instructions.



- 10** We recommend long lasting YellaWood Protector® semi-transparent stain and water repellent wood sealer, the only stain backed by the famous Yella Tag. Follow manufacturer's recommendations for application.



Adirondack Chair // Hack

PROJECT PLAN

YellaWood
Pressure Treated Pine



Take your relaxation up a notch with this easy hack.

The Adirondack chair is classic for a number of reasons. Its ergonomic, lounge-ready design, its inviting wide arms, and its endless varieties of detailing make it an American staple. At more than 100 years old, the chair has survived the test of time and is a beloved beacon of backyard rest.

Even with all its history, this masterpiece could use one small upgrade. Instead of risking a drink spilling on you or your guests, this Hack project allows for one of

the arms to feature a cup-holder for carefree beverage consumption.

The plan calls for a simple cut-out as well as a small structure underneath to support cups up to 3" in diameter. It's one of the simplest plans in the YellaWood project plan library, giving little reason not to give this one a go.

BUILD TIME

2
HR

DIFFICULTY



COST



Adirondack Chair // Hack

YellaWood
Pressure Treated Pine

IMPORTANT REMINDERS

AFTER YOU CUT THE PIECES, YOU'RE ALMOST READY TO GO.

SEE BELOW FOR IMPORTANT REMINDERS BEFORE GETTING STARTED ON THE ASSEMBLY STEPS.

- **Read instructions** to familiarize yourself with the entire process before beginning.
- **Always double check measurements** before making cuts - Great Southern Wood is not responsible for incorrect cuts.
- **Pre-drill** holes before attaching screws. Set $\frac{1}{8}$ " drill bit inside combination counter-sink bit to appropriate depth based on the screw length called for.
- **Wood glue is optional:** if you choose to use it, apply to surfaces before attaching parts, and be sure to wipe up excess with a damp cloth.
- **Check BuildYella.com for updates** to plans.

The Cut List is based on the following actual dimensions for board stock:

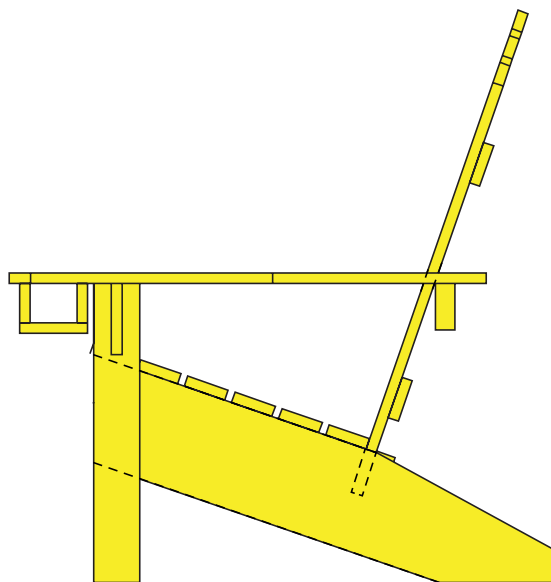
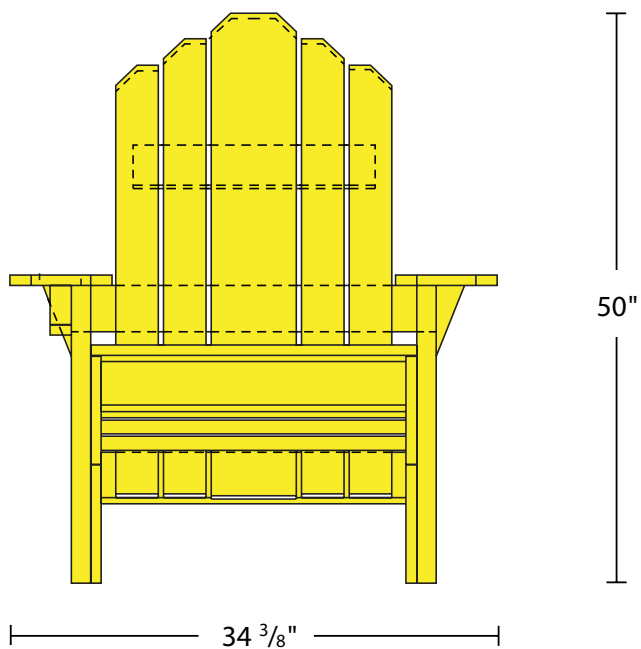
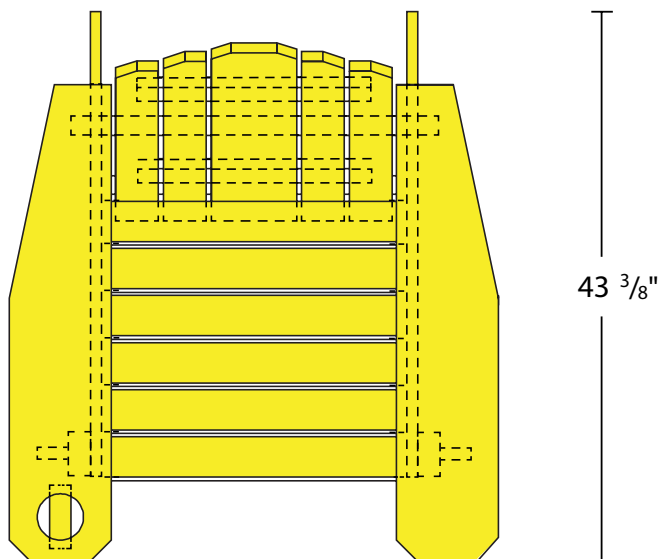
1x6	$\frac{3}{4}$ " x 5 $\frac{1}{2}$ "
1x2	$\frac{3}{4}$ " x 1 $\frac{1}{2}$ "
2x2	1 $\frac{1}{2}$ " x 1 $\frac{1}{2}$ "
2x4	1 $\frac{3}{8}$ " x 3 $\frac{1}{4}$ "
1x4	$\frac{3}{4}$ " x 3 $\frac{1}{2}$ "
1x8	$\frac{3}{4}$ " x 7 $\frac{1}{4}$ "
2x6	1 $\frac{3}{8}$ " x 5 $\frac{1}{4}$ "
$\frac{5}{4}$ x6	$\frac{7}{8}$ " x 5 $\frac{1}{4}$ "
2x10	1 $\frac{1}{2}$ " x 9 $\frac{1}{8}$ "
4x4	3 $\frac{1}{4}$ " x 3 $\frac{1}{4}$ "

Adirondack Chair // Hack

YellaWood
Pressure Treated Pine

OVERALL SIZE

TOP

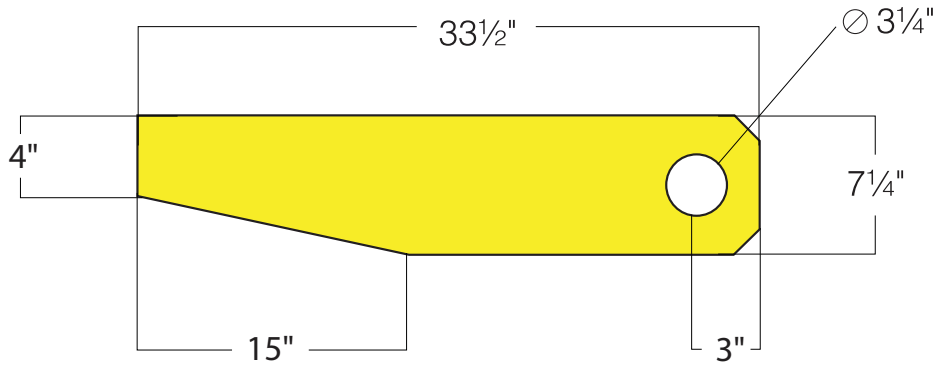


Adirondack Chair // Hack

YellaWood
Pressure Treated Pine

OVERALL SIZE

TOP VIEW OF HACK



Adirondack Chair // Hack

YellaWood
Pressure Treated Pine

OVERVIEW OF STEPS

SEQUENCE OF BUILD

1: HOLE CUT-OUT



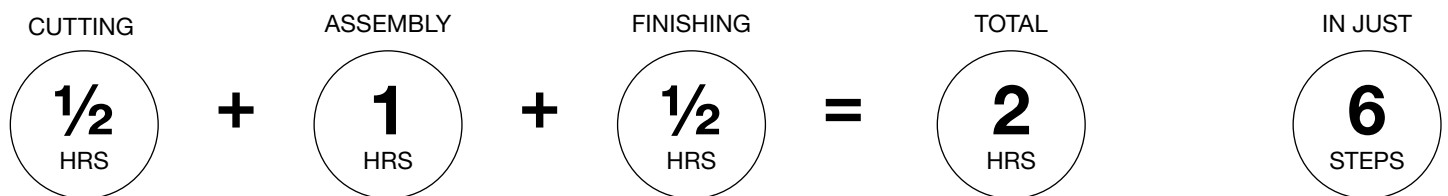
2: SUPPORT



3: FINISHING



BUILD TIME



Adirondack Chair // Hack

YellaWood
Pressure Treated Pine

WHAT YOU'LL NEED

MATERIALS

- 1x 1x2x8' YellaWood® pressure treated pine

HARDWARE

½ LB BOX

- 1 5/8" wood screws + appropriate bit

WOOD FINISHING

- YellaWood Protector® Stain & Sealer

SAFETY EQUIPMENT

- Work gloves
- Dust mask
- Safety glasses
- Ear protection

OTHER

- Painter's tape for labeling cut parts

TOOLS



Pencil



Measuring tape



Miter saw
(or chop saw)



Combination
countersink bit
(with 2" long 1/8" bit)



Drill / driver



Radial sander
(or sanding block)



3 1/4" Hole-saw



Damp cloth
(optional)



Waterproof
wood glue
(optional)



Paint/Stain
Brush

Notes:

- Consider using YellaWood® KDAT and higher grade products to achieve more professional results.
- Choose boards with minimal irregularity to get the most out of the stock. The following cut list shows efficient nesting of parts per board. If unsure about board quality, purchase 1 extra piece of each board type.

Adirondack Chair // Hack

YellaWood
Pressure Treated Pine

ASSEMBLY

INSTRUCTIONS FOR ALL SECTIONS

1



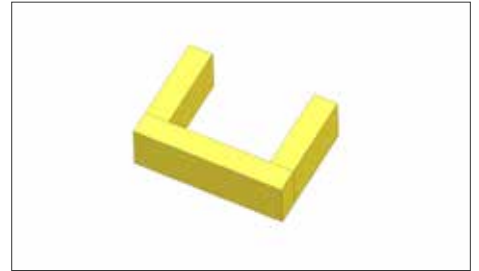
Choose which arm you would like the cup-holder to be placed on.

2



Measure 3" from the front edge of the arm equidistant from both sides. Mark a center-point and carefully cut out the hole using a 3 1/4" hole-saw.

3



Cut one piece out of the 1x2 stock at 4 1/4" long and two pieces to 2 3/4". Create a C-shape assembly with these pieces. Use a square to maintain a 90-degree angle.

4



Center the cup-holder support underneath the hole as shown and attach from above using two 1 5/8" screws per joint.

5



Ease any sharp edges using a radial sander or sanding block with medium grit. Apply preferred finish to the wood.

6



We recommend long lasting YellaWood Protector® semi-transparent stain and water repellent wood sealer, the only stain backed by the famous Yella Tag. Follow manufacturer's recommendations for application.

CONGRATULATIONS. ENJOY YOUR NEW **UPGRADED** ADIRONDACK CHAIR!

Adirondack Chair // Hack

GALLERY OF IMAGES

YellaWood
Pressure Treated Pine



Adirondack Chair // Hack

FASTENER & HARDWARE INFORMATION



FOR INTERIOR OR EXTERIOR APPLICATIONS

Use fasteners and hardware that are in compliance with the manufacturer's recommendations and the building codes for their intended use. As with any good design and construction practices, treated wood should not be used in applications where trapped moisture or water can occur. Where design and/or actual conditions allow for constant, repetitive or long periods of wet conditions, only stainless steel fasteners should be used.

FOR EXTERIOR APPLICATIONS

The following minimum galvanization levels may be used for connectors, joist hangers, fasteners and other hardware that are placed in direct contact with exterior applications of micronized copper treated wood:

- **Fasteners** – nails, screws, etc. ASTM – A 153 (1 oz/ft²)
- **Hardware** – connectors, joist hangers, etc. ASTM – A 653 G90 (0.90 oz/ft²)

The effects of other building materials within a given assembly, along with environmental factors, should also be considered when selecting the appropriate hardware and fasteners to use for a given project containing treated wood.

Stainless Steel fasteners and hardware are required for Permanent Wood Foundations below grade and are recommended for use with treated wood in other severe exterior applications such as swimming pools, salt water exposure, etc. Type 304 and 316 are recommended grades to use.

ALUMINUM

Aluminum building products may be placed in direct contact with YellaWood® brand products used for interior uses and above ground exterior applications such as decks, fencing, and landscaping projects. Examples of aluminum products include siding, roofing, gutters, door and window trim, flashing, nails, fasteners and other hardware connectors. However, direct contact of treated products and aluminum building products should be limited to code-compliant construction applications that provide proper water drainage and do not allow the wood to be exposed to standing water or water immersion.

We recommend you contact the aluminum building products manufacturer for its recommendations regarding use of its aluminum products in contact with treated wood in ground contact applications or when exposed to salt water, brackish water, or chlorinated water, such as swimming pools or hot tubs.

Also check with the aluminum building products manufacturer regarding compatibility with other chemicals and cleaning agents and the use of their aluminum products in commercial, industrial, and specialty applications such as boat construction.

YellaWood® brand pressure treated products are treated with preservatives (the "Preservatives") and preservative methods and technologies of unrelated third parties. For details regarding the Preservatives, methods, and technologies used by Great Southern Wood Preserving, Incorporated, see www.yellowood.com/preservative or write us at P.O. Box 610, Abbeville, AL 36310. Ask dealer for warranty details. For warranty or for important handling and other information concerning our products including the appropriate Safety Data Sheet (SDS), please visit us at www.yellowood.com/warranties or write us at P.O. Box 610, Abbeville, AL 36310. YellaWood®, YellaWood Protector® and the yellow tag are federally registered trademarks of Great Southern Wood Preserving, Incorporated.

Great Southern Wood Preserving, Incorporated makes no warranties expressed or implied as to the fitness for a particular purpose of this plan.

Adirondack Chair // Hack

IMPORTANT INFORMATION



- Consult the end tag to determine which preservative or preservative system was used in the treatment of that particular product. YellaWood® brand products may be used in direct contact with aluminum building products when limited to code-compliant construction applications that provide proper water drainage and do not allow the wood to be exposed to standing water or water immersion.
- Use fasteners and other hardware that are in compliance with building codes for the intended use.
- Do not burn preserved wood.
- Wear a dust mask and goggles when cutting or sanding wood.
- Wear gloves when working with wood.
- Some preservative may migrate from the treated wood into soil/water or may dislodge from the treated wood surface upon contact with skin.
- Wash exposed skin areas thoroughly.
- All sawdust and construction debris should be cleaned up and disposed of after construction.
- Wash work clothes separately from other household clothing before reuse.
- Preserved wood should not be used where it may come into direct or indirect contact with drinking water, except for uses involving incidental contact such as fresh water docks and bridges.
- Do not use preserved wood under circumstances when the preservative may become a component of food, animal feed or beehives.
- Do not use preserved wood as mulch.
- Only preserved wood that is visibly clean and free of surface residue should be used. If the wood is to be used in an interior application and becomes wet during construction, it should be allowed to dry before being covered or enclosed.
- Mold growth can and does occur on the surface of many products, including untreated and treated wood, during prolonged surface exposure to excessive moisture conditions. To remove mold from the treated wood surface, wood should be allowed to dry. Typically, mild soap and water can be used to remove remaining surface mold. For more information visit www.epa.gov.
- Projects should be designed and installed in accordance with federal, state and local building codes and ordinances governing construction in your area, and in accordance with the National Design Specifications (NDS) and the Wood Handbook.

DISPOSAL RECOMMENDATIONS

Preserved wood may be disposed of in landfills or burned in commercial or industrial incinerators or boilers in accordance with federal, state and local regulations.